

Marine Department Shipbuilding Tender No. 5/2021

Tender Supplementary Information No. 1

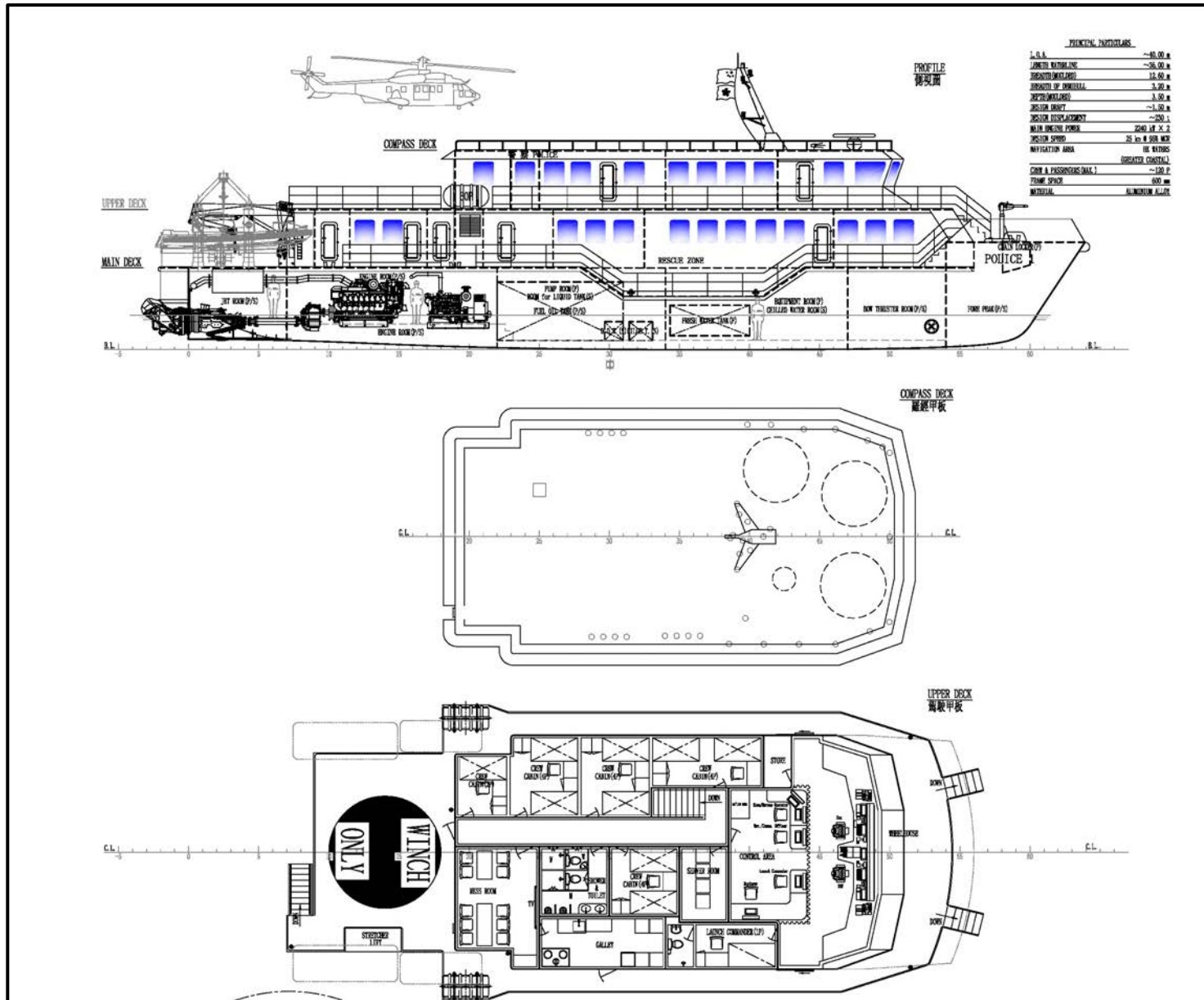
Tender Reference: Marine Department Shipbuilding Tender No. 5/2021
Procuring Department: Marine Department
Subject: Supply of Two (2) Mobile Response and Command Platforms (MRCP)
for the Hong Kong Police Force within 36 months after the Contract
Date

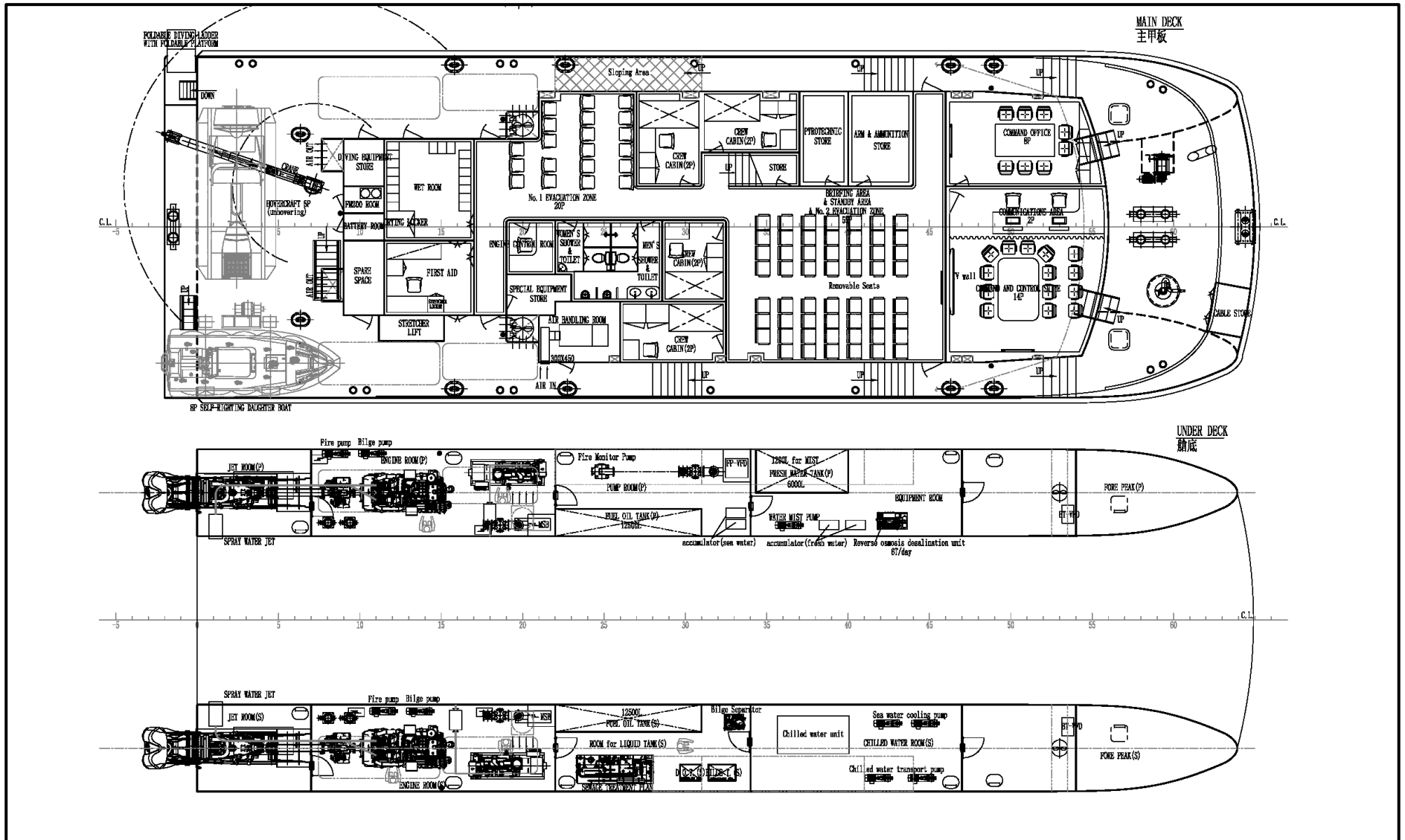
Supplementary Information as follows:

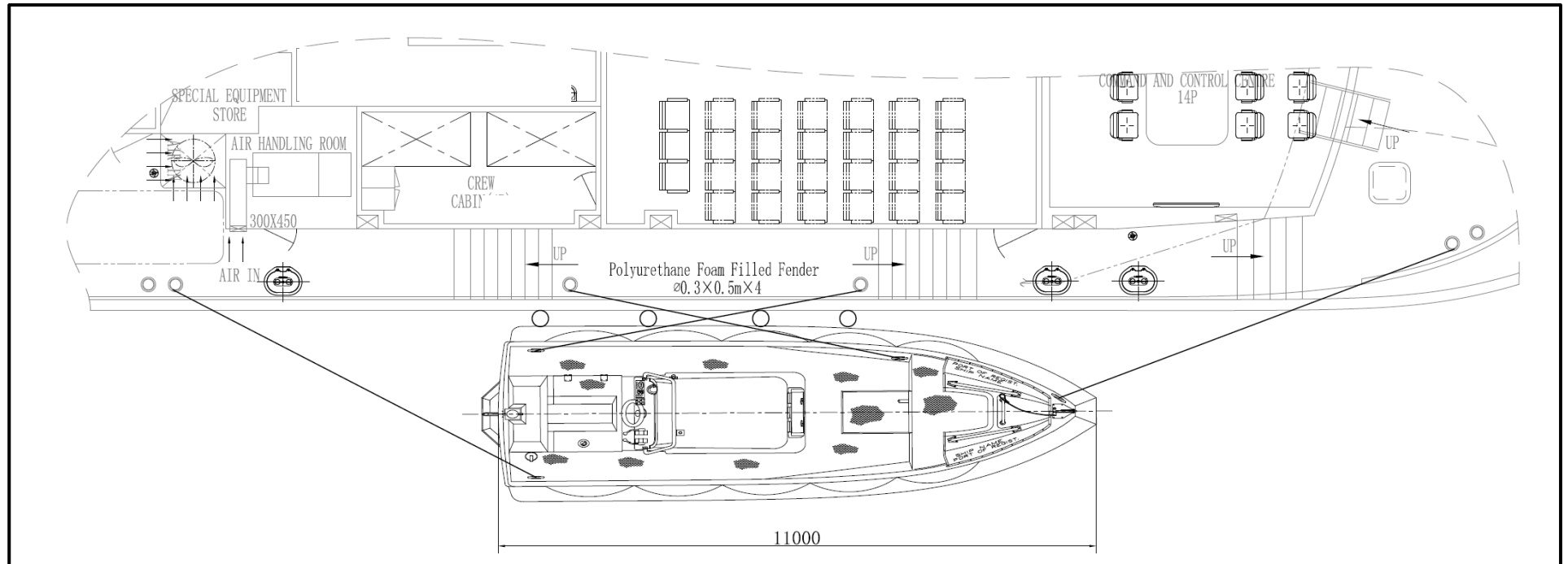
1. Annex 10 - Conceptual General Arrangement Plan to Part VII – Technical Specification

High resolution images of the drawings in Annex 10 - Conceptual General Arrangement Plan to Part VII – Technical Specification (5 pages) are provided here as supplementary information for reference.

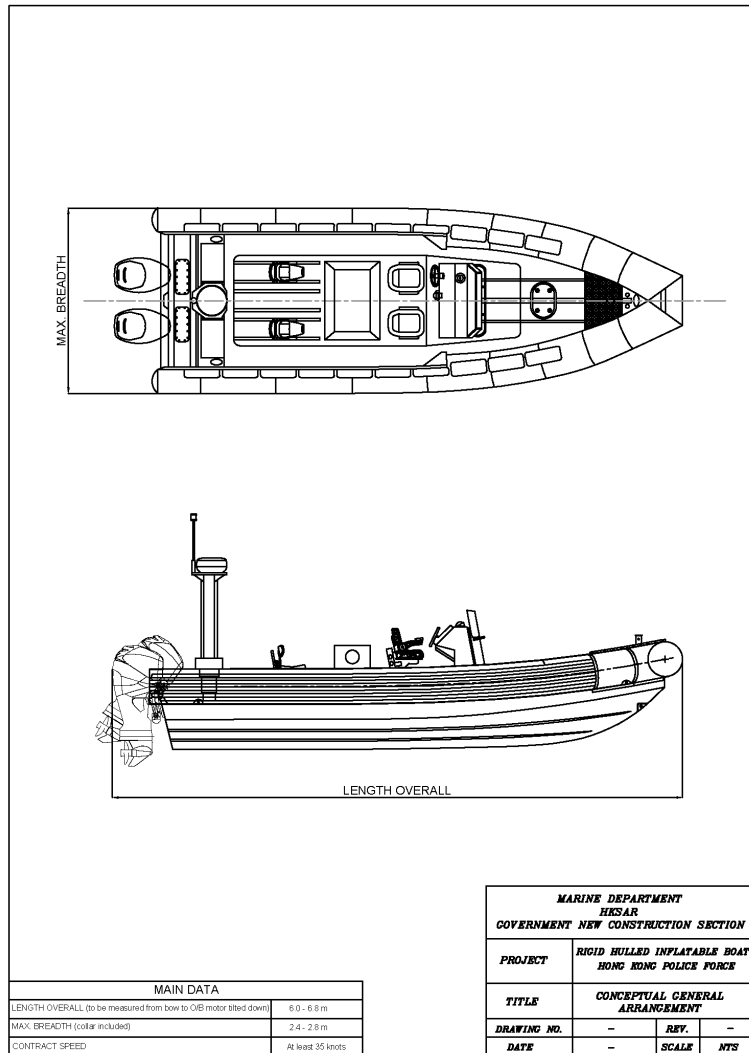
Please note that no amendment has been made to the tender documents.



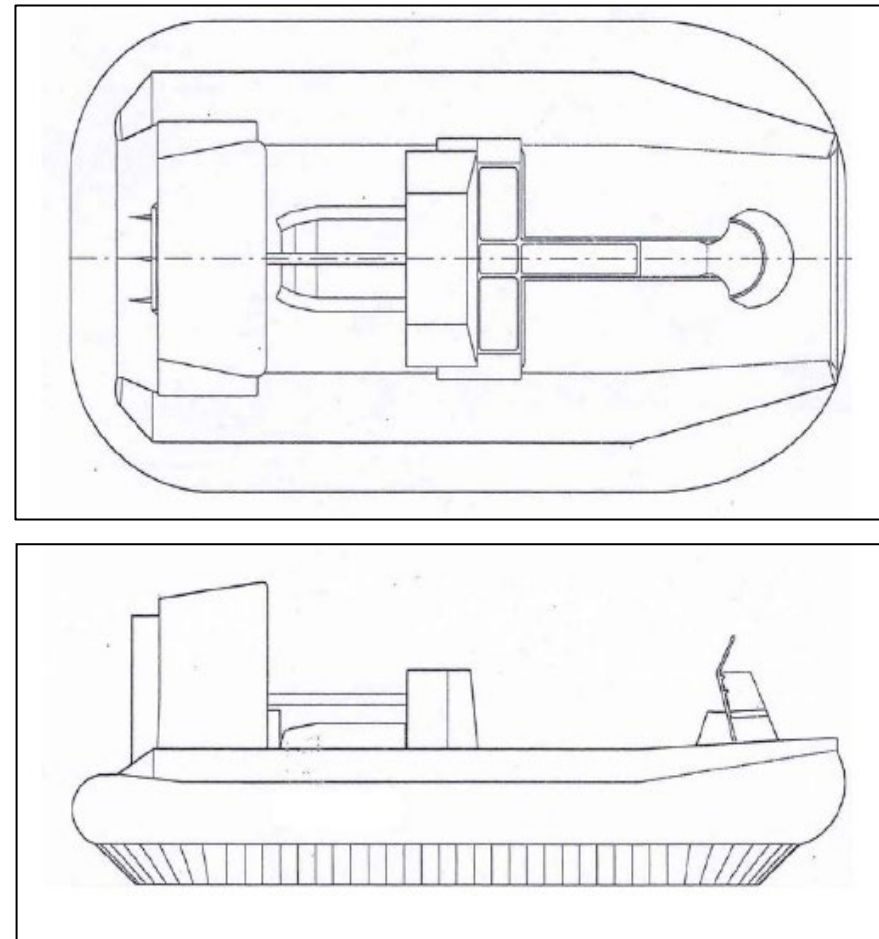




Note: The above Conceptual General Arrangement Plans are for reference only. It is by no means a suggested or preferred layout of the vessel. The Contractor is encouraged to produce their own design which meets the requirements of Technical Specifications in this Part VII.



Conceptual General Arrangement Plan of the Daughter Boat



Conceptual General Arrangement Plan of the Hovercraft